

Information from Spilka Industri, 04. December 2012

SPILKA SIDE HUNG HINGES

Following suggestions and requests from our customers, Spilka can now offer a complete and competitive system solution for use in the production of side-hung windows which we believe has clear advantages compared with competing alternatives.

Spilka has developed two variants of side-hung hinges for windows. Both variants have "control collars" for ease of installation, while providing a stronger connection between profile and hinge. The hinges are available in white (RAL 9010), grey (RAL 7035) and black (RAL 9011) and are now available for delivery direct from stock.



The hinges are supplied with either a flat end stop or a decorative finial, these are interchangeable and both are made of a resistant plastic material.

Hinge variant 1 (cranked plate) is available in white, grey and black paint finish.

Hinge variant 2 (flat plate) is currently available only in white.



Variant 1

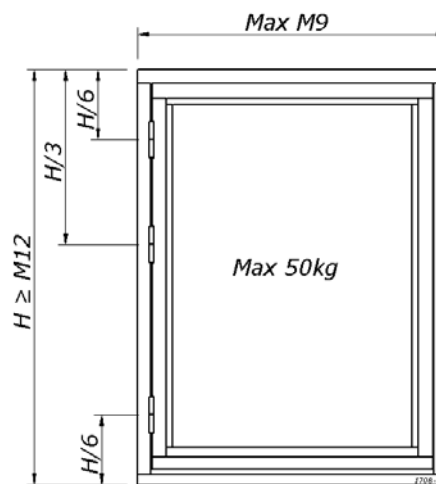
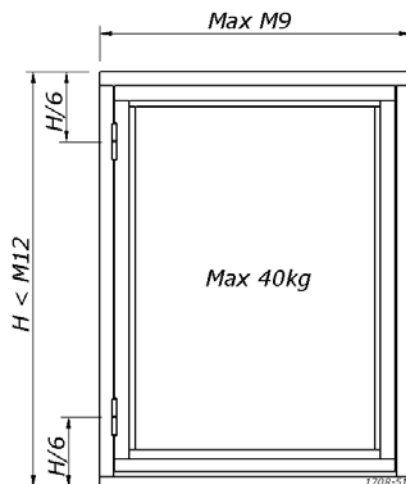


Variant 2

Package size is 100 pieces each of frame and sash plates. These are packed separately / individually to allow fitting at differing locations in the production process if necessary.

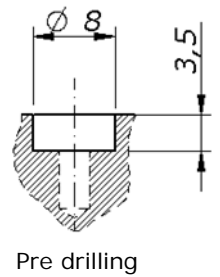
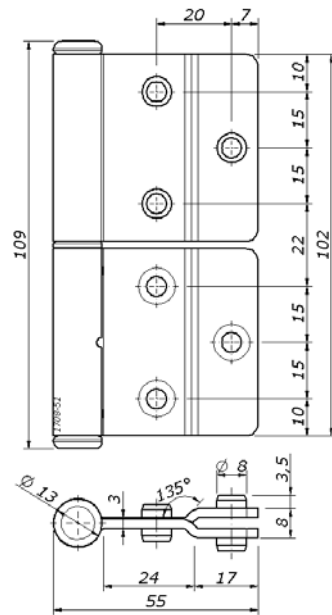
Maximum frame weight is 40 kg when using 2 hinges and 50 kg when using 3 hinges. Max window width is M9. Custom screw is Ø4, 5 x 30

Placement:

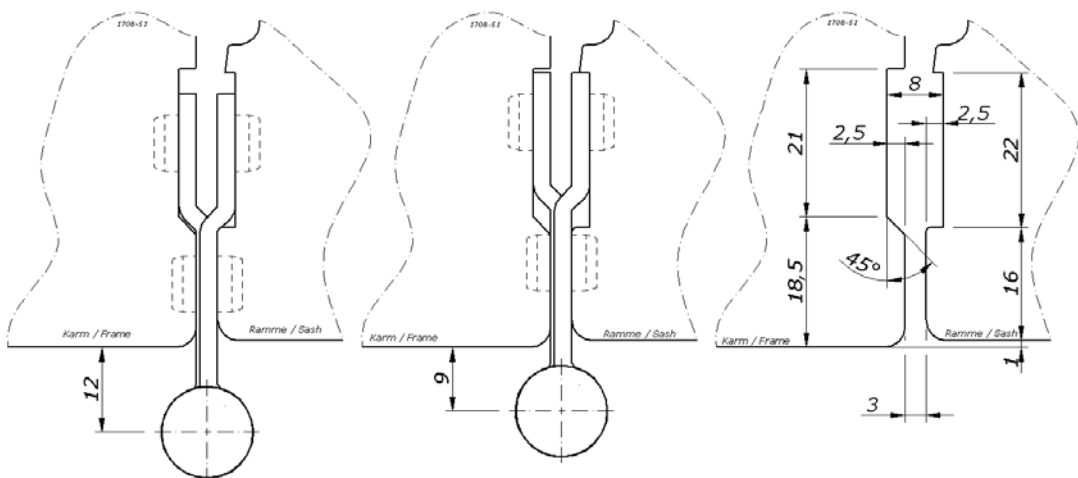


Variant 1 – Side hinge w/ bracket:

Part no.	Description	Package size	Price	Unit
13961	SIDE HUNG R BRACKET WHITE	100	Kr. 21,40	NOS
13962	SIDE HUNG L BRACKET WHITE	100	Kr. 21,40	NOS
13981	SIDE HUNG R BRACKET WHITE DK	100	Kr. 24,30	NOS
13982	SIDE HUNG L BRACKET WHITE DK	100	Kr. 24,30	NOS
13983	SIDE HUNG R GREY BRACK.D.KNOB	100	Kr. 24,30	NOS
13984	SIDE HUNG L GREY BRACK.D.KNOB	100	Kr. 24,30	NOS
13985	SIDE HUNG R BLACK BRACK D.KNOB	100	Kr. 24,30	NOS
13986	SIDE HUNG L BLACK BRACK D.KNOB	100	Kr. 24,30	NOS
13991	DECORATIVE FINIAL SH WHITE 9010	100	Kr. 1,70	NOS
13992	DECORATIVE FINIAL SH GREY 7035	100	Kr. 1,70	NOS
13993	DECORATIVE FINIAL SH BLACK 9011	100	Kr. 1,70	NOS

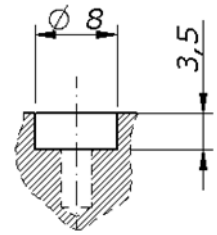
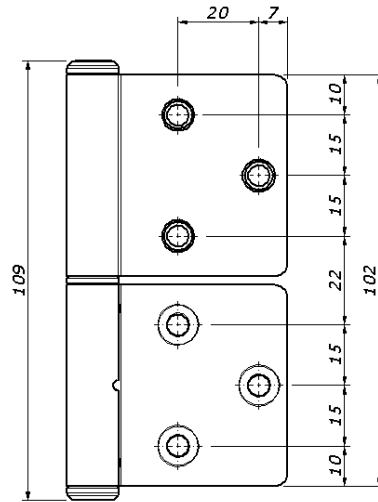


Suggestions for mounting / profiles:

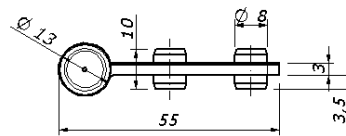


Variant 2 – SIDE HUNG without bracket:

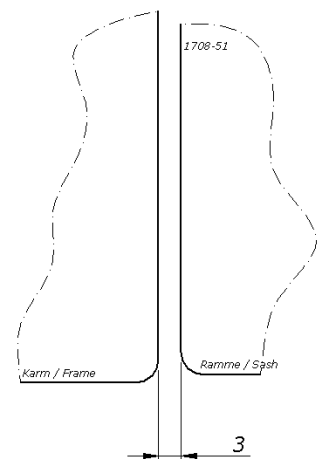
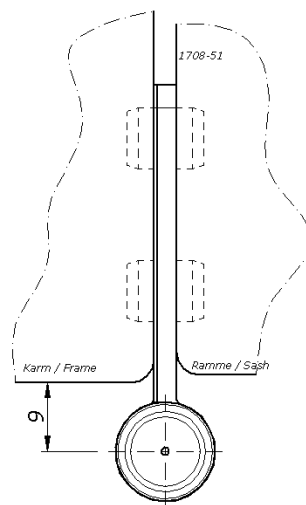
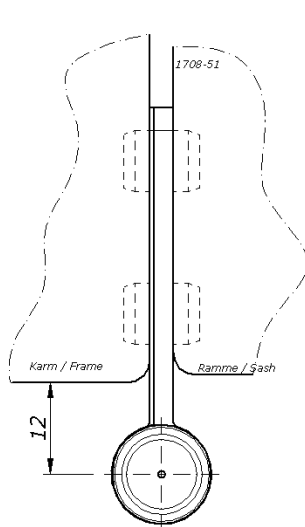
Part no.	Description	Package size	Price	Unit
13971	SIDE HUNG R FLAT WHITE	100	Kr. 21,40	NOS
13972	SIDE HUNG L FLAT WHITE	100	Kr. 21,40	NOS
13991	DECORATIVE FINIAL SH WHITE	100	Kr. 1,70	NOS



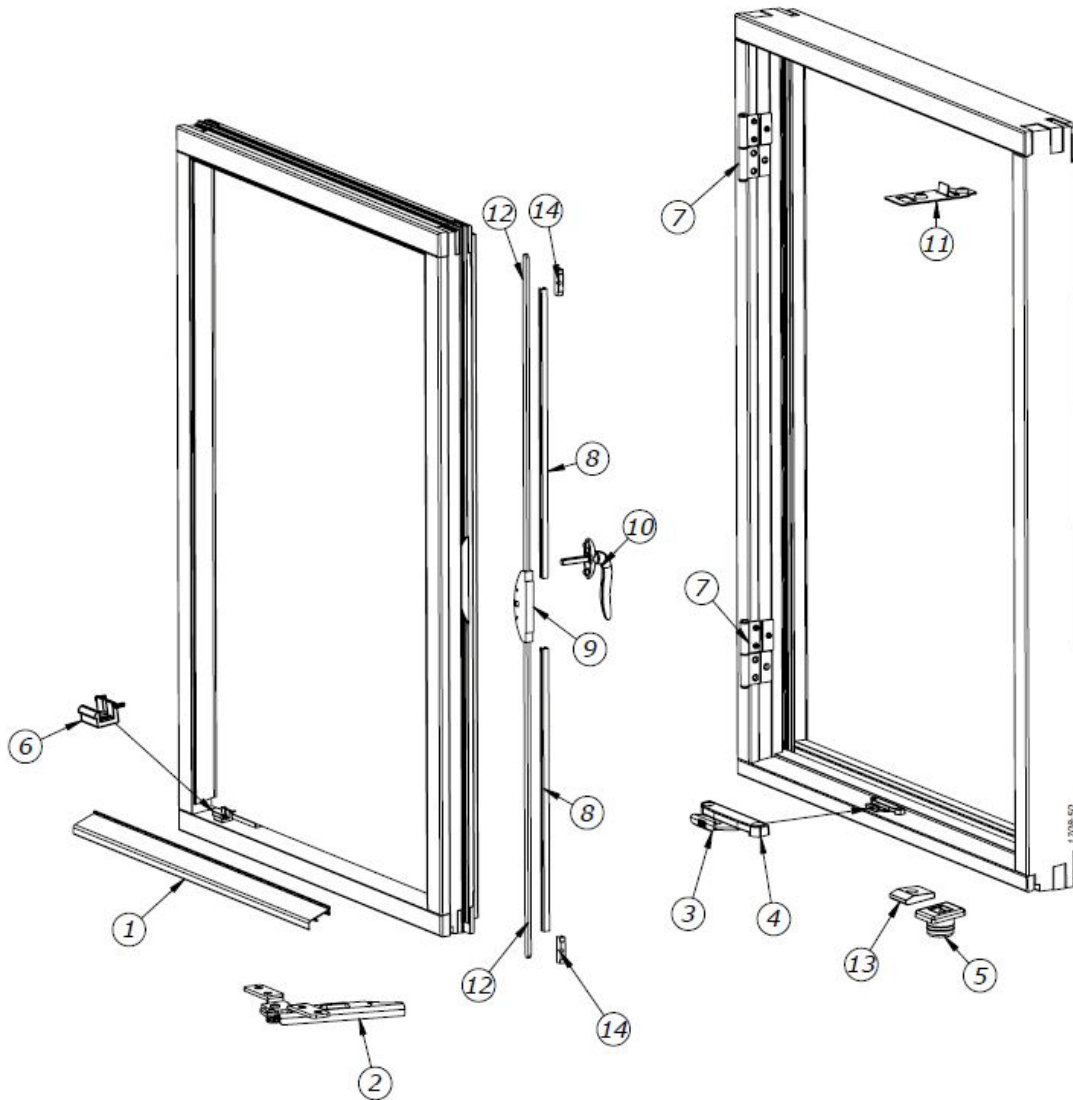
Pre drilling



Suggestions for mounting / profiles:



Overview of the system solution for side hung window:



Pos	Components
1	GLAZING BEAD
2	SAFETY CATCH
3	KEEPER SECURITY CATCH
4	GUIDE FOR KEEP, SEPARATE
5	END KEEP BOTTOM
6	CLIPS FOR GLAZING BEAD
7	SIDE HUNG HINGES

Pos	Components
8	COVER CAP PP WHITE
9	LOCKBOX
10	HANDLE
11	END KEEP TOP
12	ESPAÑOLETTE RODS
13	GUIDING WEDGE
14	ESPAGN. GUIDE



Spilka Security catch keep for side hung windows

Our security catch for use on side hung window consists of three components where the safety catch and the keeper security catch are in stainless steel.

The security catch is of solid construction, easy to operate and a competitive alternative to other ventilation and security devices.

Safety catch



Guide for keeper



Keeper security catch



Part no.	Description	Package size	Price	Unit
13915	SAFETY CATCH RIGHT	100	Kr. 38,50	NOS
13916	SAFETY CATCH LEFT	100	Kr. 38,50	NOS
13903	KEEPER SECURITY CATCH	100	Kr. 9,36	NOS
13921	GUIDE FOR KEEP, SEPARATE	100	Kr. 5,67	NOS

Please contact your regular contact person at Spilka for further information. Our R&D department by Per Helge Knutsen will also assist with further information or detailed drawing for routing and installation;

Per Helge Knutsen, direct phone +47 70 17 65 82, e-mail pk@spilka.no